



# TECHNICAL IMPROVEMENTS IMPLEMENTED IN MIDREX® DIRECT REDUCTION PLANTS

## SLURRY TREATMENT BY CHAMBER FILTER PRESSES

### TECHNICAL SOLUTION

The slurry from the clarifier underflow is dewatered at most Midrex plants typically in two large settling ponds.

This slurry in the process clarifiers originates mainly from solids from gas cleaning in the DR plant. The suspended solids are settled by gravity. The slurry treatment system is required for dewatering of slurry from the clarifiers.

To make the dewatering of slurry from the clarifiers more efficient and to lower the operating and maintenance costs, slurry dewatering can be done with chamber filter presses to produce a filter cake with a moisture content of 15-20% (see Fig. 1). This allows a better handling of the filter cake, reduces issues with freezing in cold climates and provides a possible input material for oxide briquetting. The slurry from the clarifier underflow is maintained at a constant concentration factor of approx. 400 g/l, but a higher factor is also possible. Continuous operation at a constant level has a positive effect on the water quality of the clarifier overflow and the process water supply to the plant.

The slurry (underflow) from clarifier(s) is pumped by the clarifier underflow pumps to a slurry tank equipped with an agitator. The slurry tank provides surge capacity for the filter press feed pumps.

The slurry from the slurry tank is pumped by the filter press feed pumps to the chamber filter presses where the water content is reduced.

The slurry flows through a filter where the solids are retained and the water (filtrate) passes. The dewatered slurry cake drops by gravity for subsequent disposal. The filtrate water is returned to the clarifier(s).

The slurry treatment station can be provided with an additional conveyor or container for the filter cake transport to any downstream facility for further use.

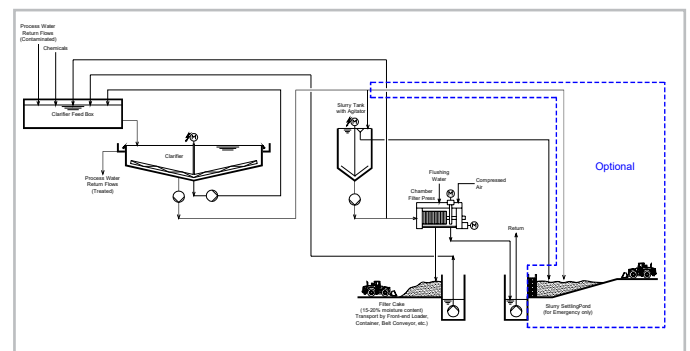


Fig. 1: Simplified flowsheet of slurry treatment with dewatering unit



Fig. 2: Slurry treatment with the dewatering unit



Fig. 3: Filter cake produced by a chamber filter press

### MAIN DATA

Type of suspension	Iron ore (or partly reduced ore) dust slurry
Slurry density	1.3-1.5 kg/dm <sup>3</sup>
Dry solids in suspension	approx. 400 g/l
No. of filter presses	e.g.: 1 operating and 1 standby or 2 operating without standby
Dry solids in filter cake	approx. 80-85% w/w

### REFERENCES

- 2.0 MTPY Midrex plant, voestalpine Texas, USA
- COREX® plant C-3000, Baosteel, China
- Most steel plants supplied by Primetals Technologies include a water-treatment plant

### MAIN BENEFITS

- Improved handling of filter cake
- Less time for drying process
- Reduction of operational costs (personnel, trucks, etc.)
- Less space requirements for plant layout
- Higher recovery of water → for reduced make-up water consumption
- Reduced loss of expensive water chemicals
- Better quality of circuit process water quality
- Reduced cleaning requirements of contaminated water in the system facilities, which contributes to best possible degasser results
- Cleaner plant roads

**Primetals Technologies Austria GmbH**  
A joint venture of Mitsubishi Heavy Industries and partners

Turmstrasse 44 | 4031 Linz | Austria  
[primetals.com](http://primetals.com)

Order No. T01-3-N650-L3-P-V2-EN  
Printed in Linz | © 2020

The information (including, e.g., figures and numbers) provided in this document contains merely general descriptions or characteristics of performance based on estimates and assumptions which have not been verified. It is no representation, does not constitute and/or evidence a contract or an offer to enter into a contract to any extent and is not binding upon the parties. Any obligation to provide and/or demonstrate respective characteristics shall only exist if expressly agreed in the terms of the contract. These estimates and assumptions have to be analyzed on a case-to-case basis and might change as a result of further product development. Primetals Technologies excludes any liability whatsoever under or in connection with any provided information, estimates and assumptions. The provided information, estimates and assumptions shall be without prejudice to any possible future offer and/or contract. Any use of information provided by Primetals Technologies to the recipient shall be subject to applicable confidentiality obligations and for the own convenience of and of the sole risk of the recipient. Primetals is a trademark of Primetals Technologies Ltd.